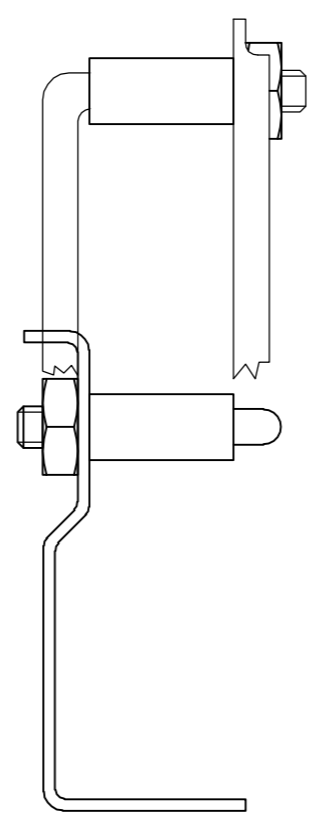
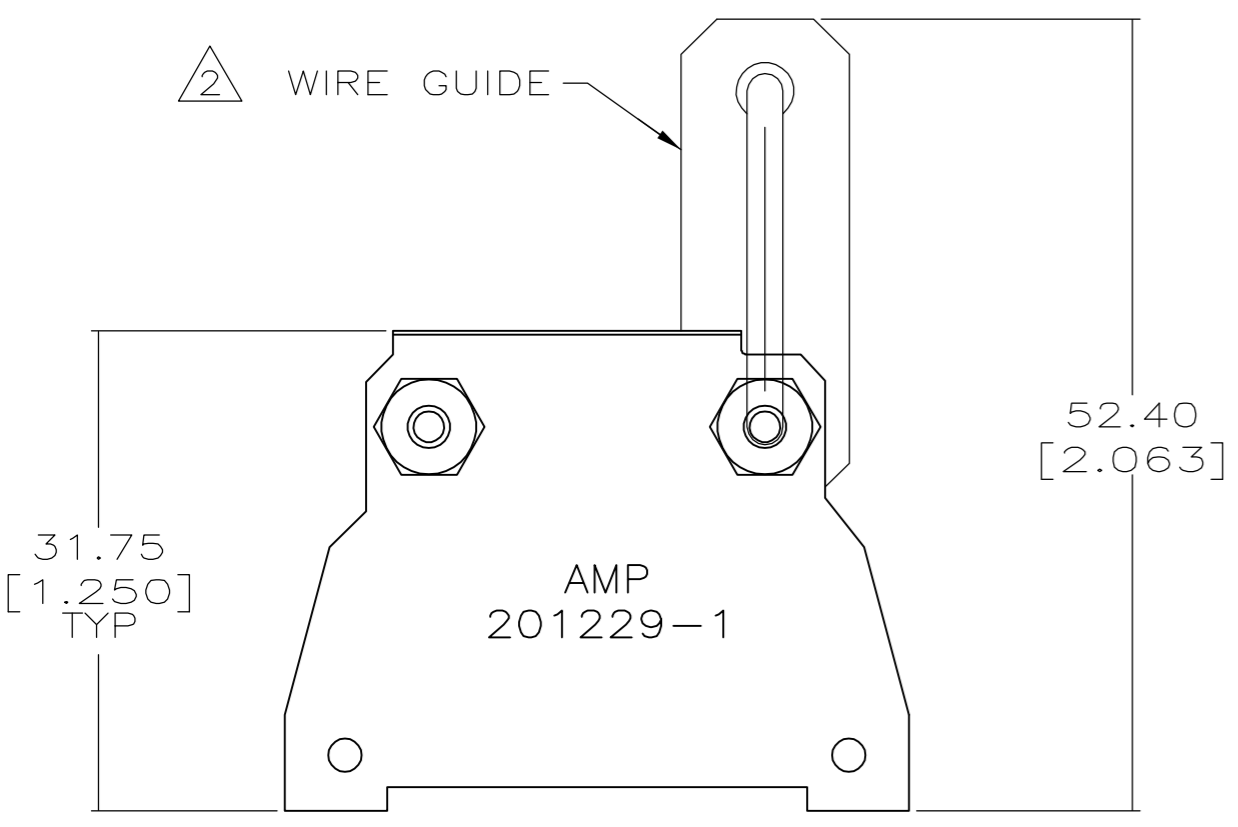
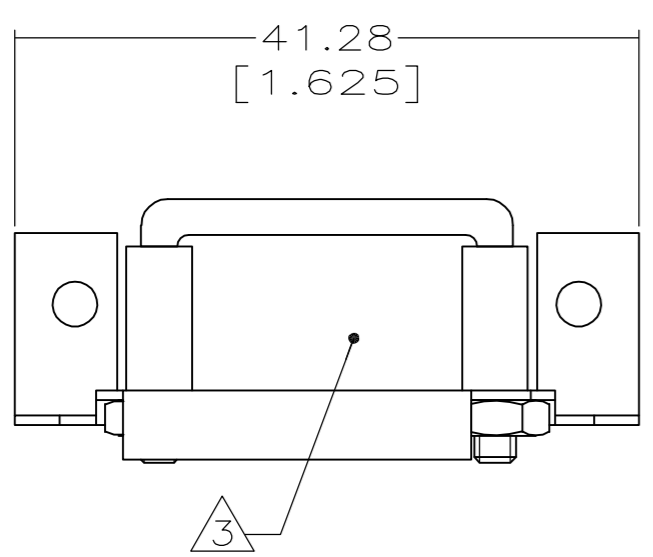
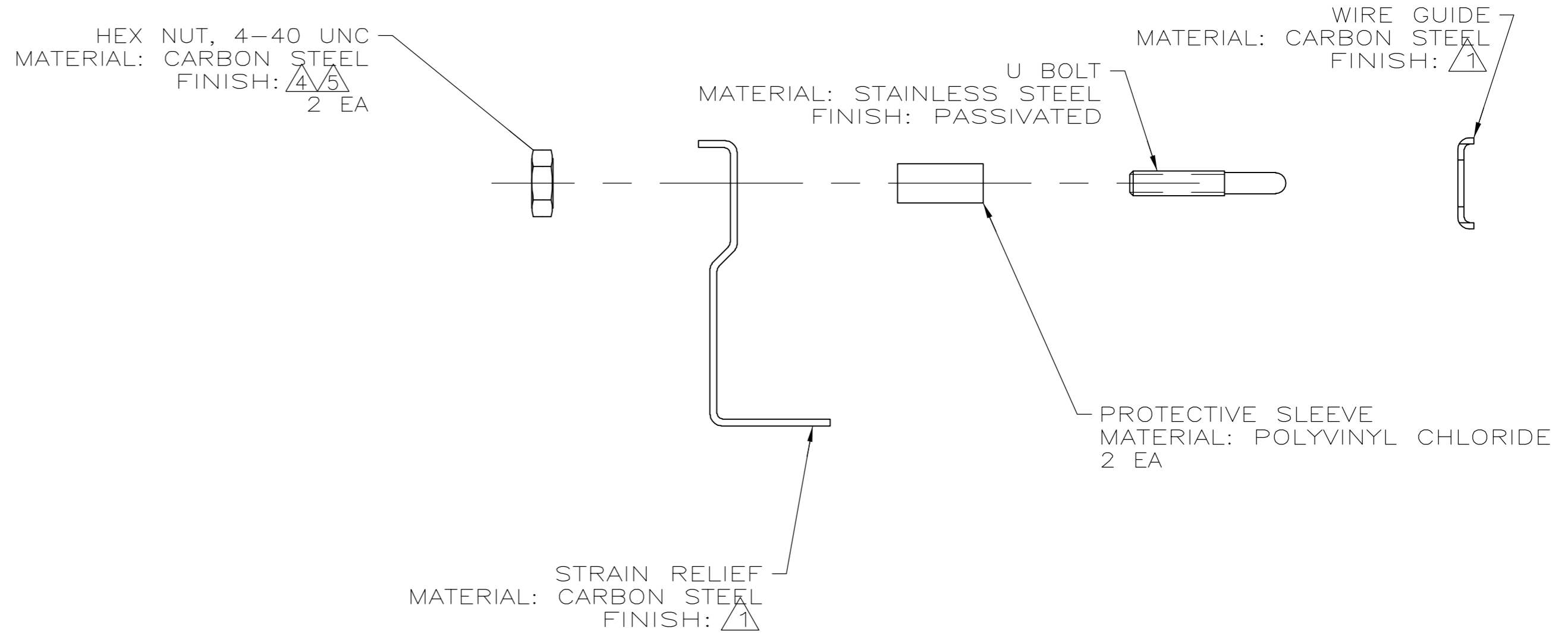


THIS DRAWING IS UNPUBLISHED. RELEASED FOR PUBLICATION
 © COPYRIGHT BY TYCO ELECTRONICS CORPORATION. ALL RIGHTS RESERVED.

LOC		DIST		REVISIONS			
P	LTR	DESCRIPTION		DATE	DWN	APVD	
		M1		REVISED PER ECO-05-4934	7/21/05	SS	GS



- 1 5.08um[.000200] MIN NICKEL.
- 2 WIRE GUIDE USED IN ALTERNATE POSITION FOR 90° CABLE OUTLET ONLY.
- 3 206.45 SQ mm [.320 SQ IN] MAX CLAMP AREA.
- 4 ZINC PLATED WITH HEXAVALENT CHROMIUM.
- 5 ZINC PLATED WITH NON-HEXAVALENT CHROMIUM.

ASSEMBLED VIEW

5	201229-5
4	201229-1
NUT FINISH	PART NUMBER

THIS DRAWING IS A CONTROLLED DOCUMENT.		DWN C.REIFSNYDER 14 MAY 96	tyco Tyco Electronics Corporation	
DIMENSIONS: mm [INCHES]		CHK R.STONE 24 MAY 96	Harrisburg, Pa 17105-3608	
TOLERANCES UNLESS OTHERWISE SPECIFIED:		APVD G. STEINHAUER 21 JUN 96	NAME	
0 PLC ± -	1 PLC ± -	PRODUCT SPEC	CLAMP KIT, UNASSEMBLED, STRAIN RELIEF, 26 PLACE M SERIES	
2 PLC ± 0.38[.015]	3 PLC ± -	APPLICATION SPEC	SIZE A2	CAGE CODE 00779
4 PLC ± -	ANGLES ± -	WEIGHT -	DRAWING NO C=201229	RESTRICTED TO -
MATERIAL SEE CALLOUTS	FINISH SEE CALLOUTS	CUSTOMER DRAWING	SCALE 2:1	SHEET 1 OF 1
			REV M1	